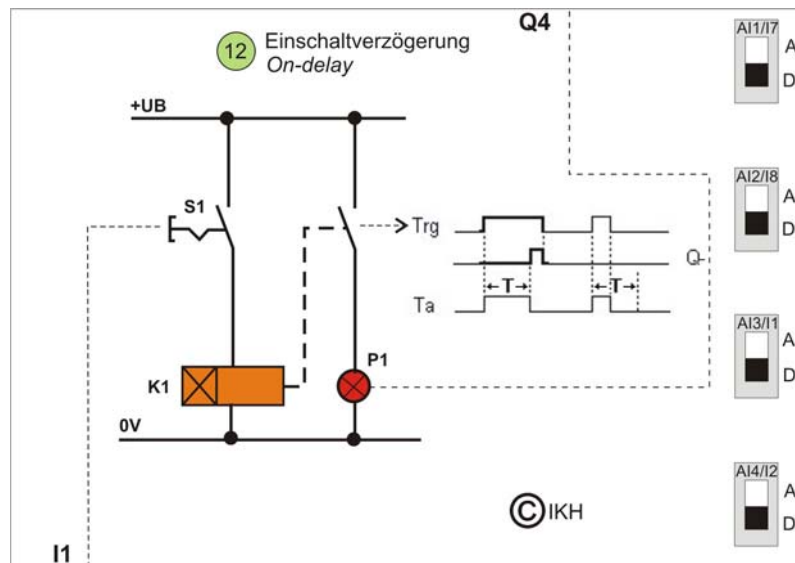


Switch-on delay with LOGO!Learn

Learning card: Switch-on delay



A circuit with a switch-on delay has to be tested. The example on the learning card is programmed for a delay time of 5 sec.
Please program

Correlation list		
Symbol	absolute	Comment
S1	I1	Switch
P1	Q4	Status LED (Pilot lamp)

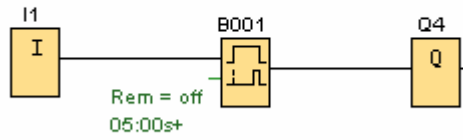
Exercise

Solution diagram 1 shows a suggested solution.

- Enter program according to function block diagram (solution field 1) into the programming unit (i.e. PC or keyboard and transfer into LOGO!
- Test program
- Transfer the solution „FBD“ as „LAD“ (ladder diagram) into solution field 2.
- Enter program according to LAD (solution field 2) into the programming unit (i.e. PC or keyboard) and transfer into LOGO!
- Test program

Solution field 1 (suggested solution)

Einschaltverzögerung



Solution field 2 (ladder diagram)

