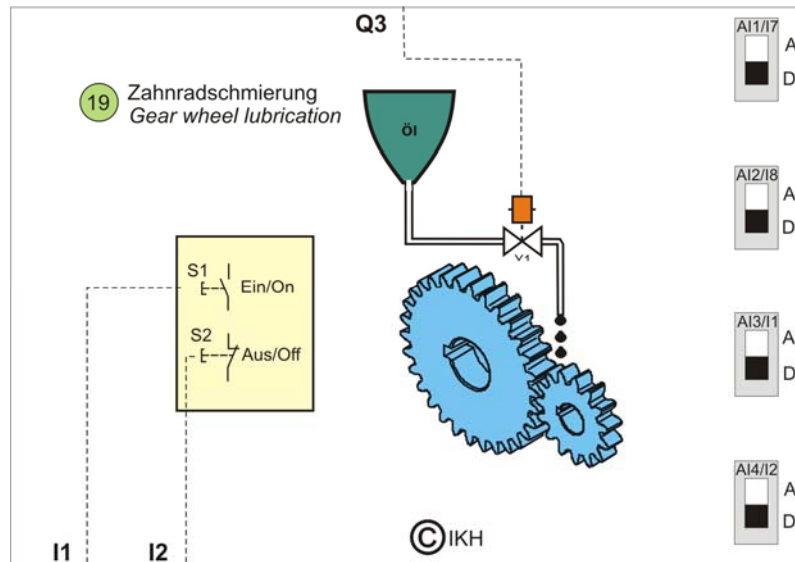


Gear wheel lubrication with LOGO!Learn

Learning card: Gear wheel lubrication



Operating description

Moving gear wheels have to be lubricated at regular intervals. The valve (star) Y1 has to open 5 times and close 5 times for a period of 1 sec within 10 sec (lubricating cycle). The plant is switched-on with button S1 (close) and switched-off with button S2 (open).

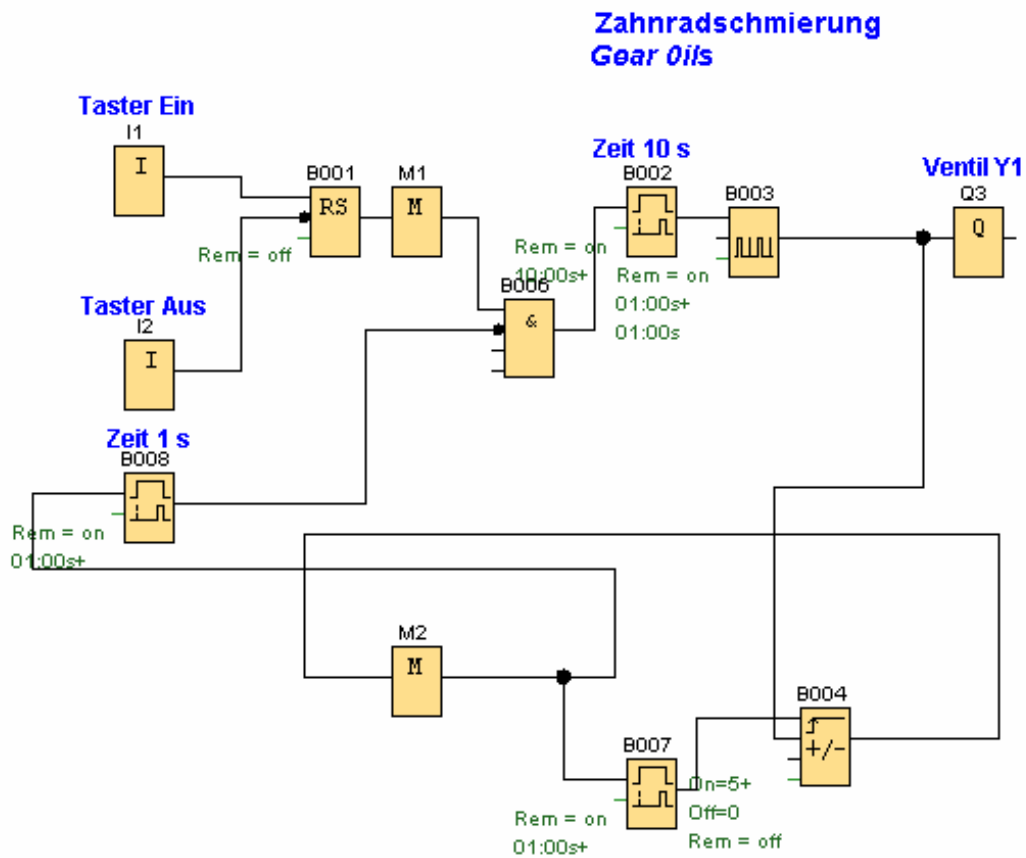
Correlation list		
Symbol	absolute	Comment
S1	I1	Button on
S2	I2	Button off
Y1	Q3	Status LED (Valve)

Exercise

Solution field 1 shows a suggested solution.

- Enter program according to function block diagram (solution field 1) into the programming unit (i.e. PC or keyboard) and transfer into LOGO!
- Test program
- Transfer the solution „FBD“ as „LAD“ (ladder diagram) into solution field 2.
- Enter program according to LAD (solution field 2) into the programming unit (i.e. PC or keyboard) and transfer into LOGO!
- Test program

solution field 1 (suggested solution)



Solution field 2 (ladder diagram)

