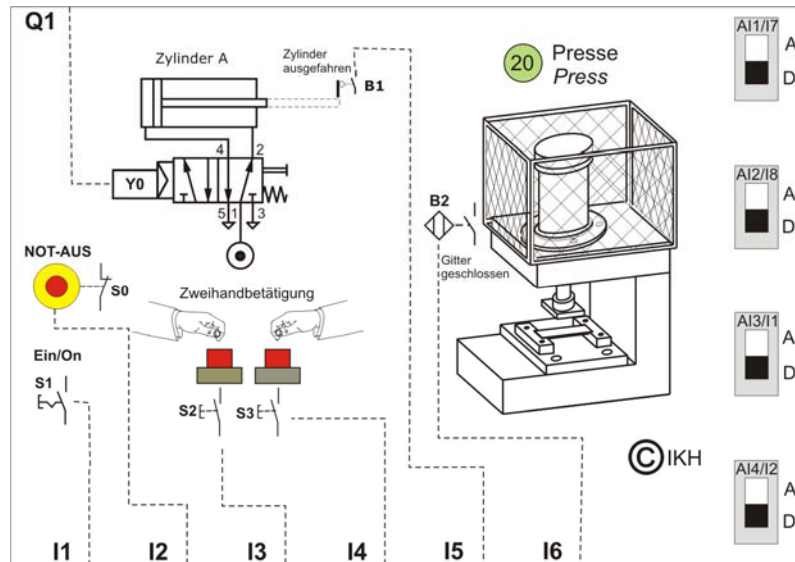


Press with LOGO!Learn

Learning card: Press



Operating description

Parts have to be formed in a pneumatic press. The stamp only moves downwards if the following conditions are met:

1. Protection grill closed (B2).
2. EMERGENCY-OFF not set.
3. Both buttons (S2 and S3) are pressed at the same time (two-handed operation).

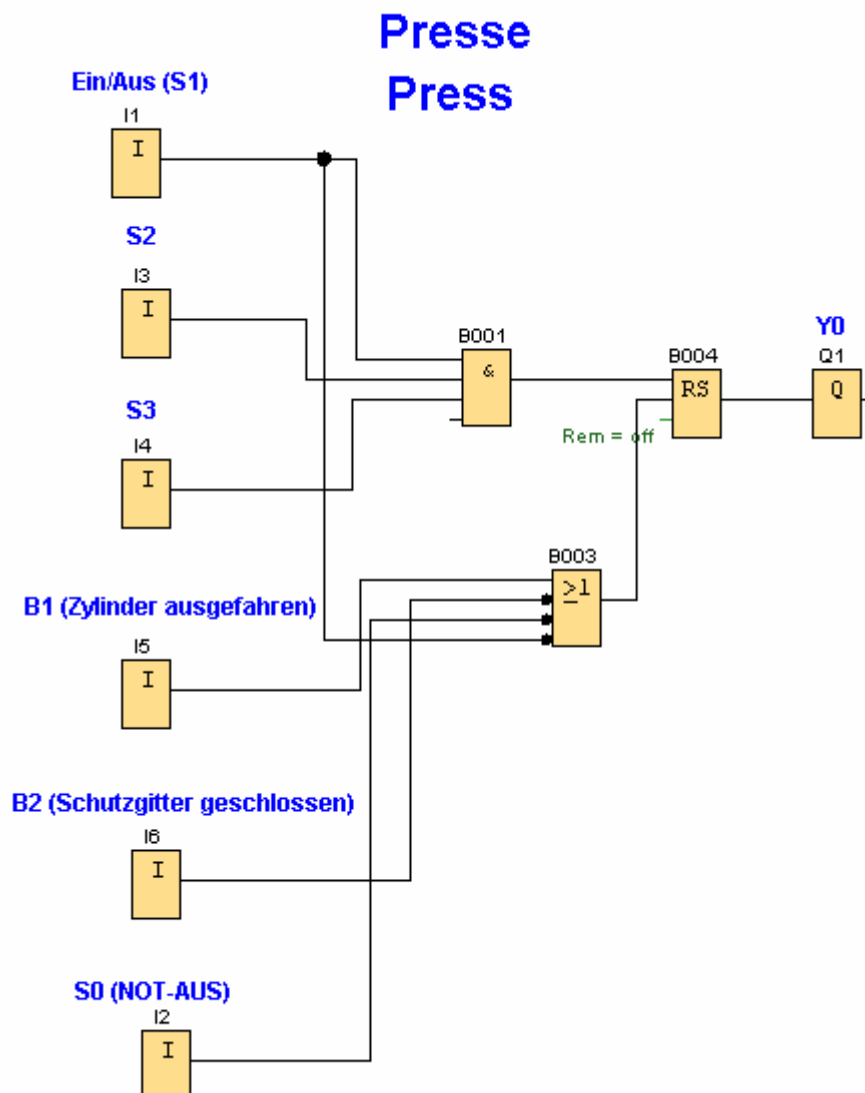
Correlation list		
Symbol	absolute	Comment
S0	I2	EMERG.-OFFswitch (opener)
S1	I1	Switch (on/off)
S2	I3	Button
S3	I4	Button
B1	I5	Limit switch cylinder extended
B2	I6	Protection grill closed
Y0	Q1	Status LED (cylinder)

Exercise

Solution field 1 shows a suggested solution.

- Enter program according to function block diagram (solution field 1) into the programming unit (i.e. PC or keyboard) and transfer into LOGO!
- Test program
- Transfer the solution „FBD“ as „LAD“ (ladder diagram) into solution field 2.
- Enter program according to LAD (solution field 2) into the programming unit (i.e. PC or keyboard) and transfer into LOGO!
- Test program

Solution field 1 (suggested solution)



Solution field 2 (ladder diagram)

