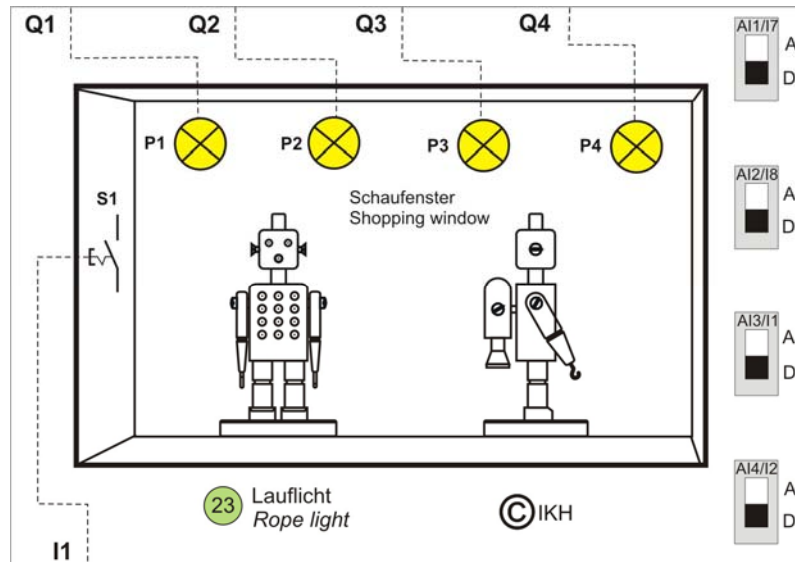


## Rope light with LOGO!Learn

Learning card: Rope light

**Operating description**

When switched-on with switch S1, four lamps (rope lights) have to run continuously for advertising purposes in a shop window.

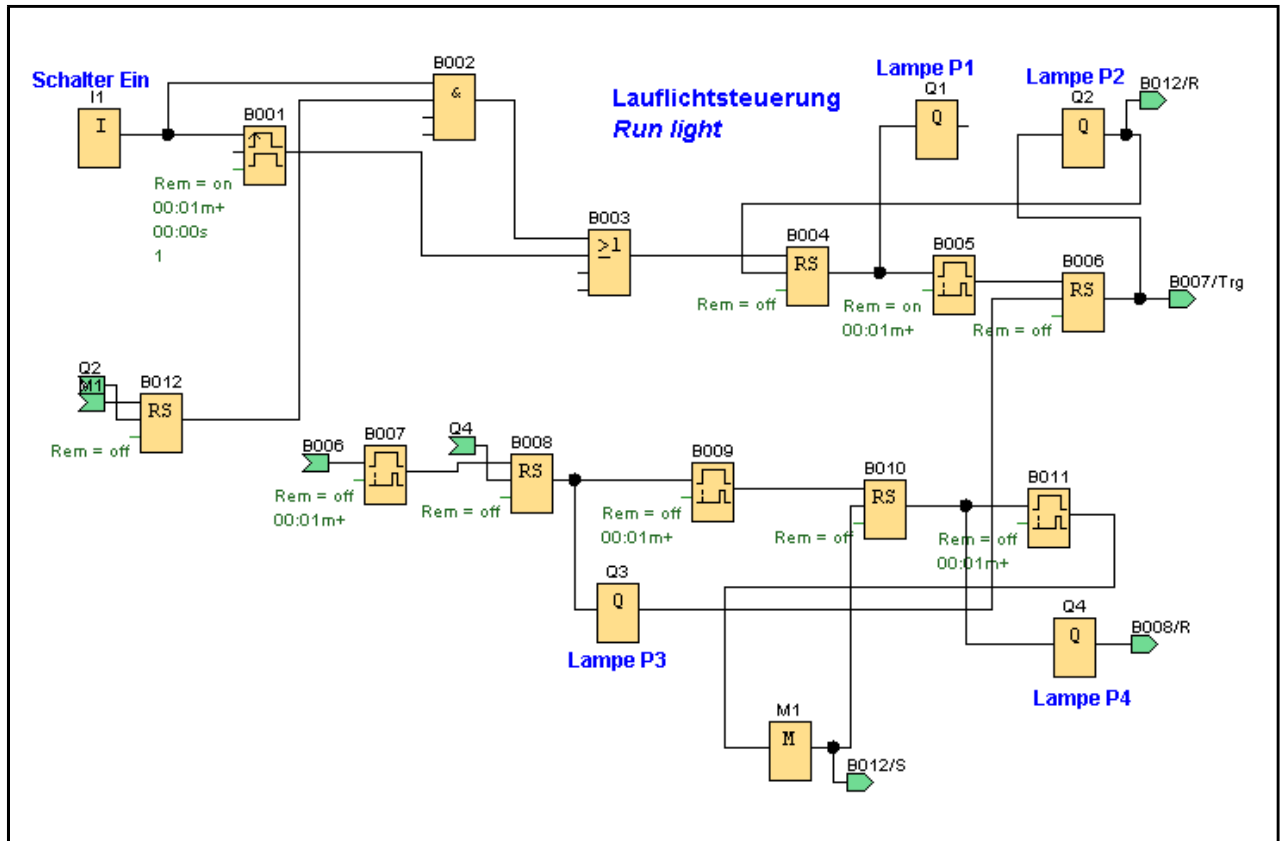
Correlation list		
Symbol	absolute	Comment
S1	I1	Switch on
P1	Q1	Status LED (Lamp)
P2	Q2	Status LED (Lamp)
P3	Q3	Status LED (Lamp)
P4	Q4	Status LED (Lamp)

**Exercise**

Solution field 1 shows a suggested solution.

- Enter program according to function block diagram (solution field 1) into the programming unit (i.e. PC or keyboard) and transfer into LOGO!
- Test program
- Transfer the solution „FBD“ as „LAD“ (ladder diagram) into solution field 2.
- Enter program according to LAD (solution field 2) into the programming unit (i.e. PC or keyboard) and transfer into LOGO!
- Test program

Solution field 1 (suggested solution)



Solution field 2 (ladder diagram)

