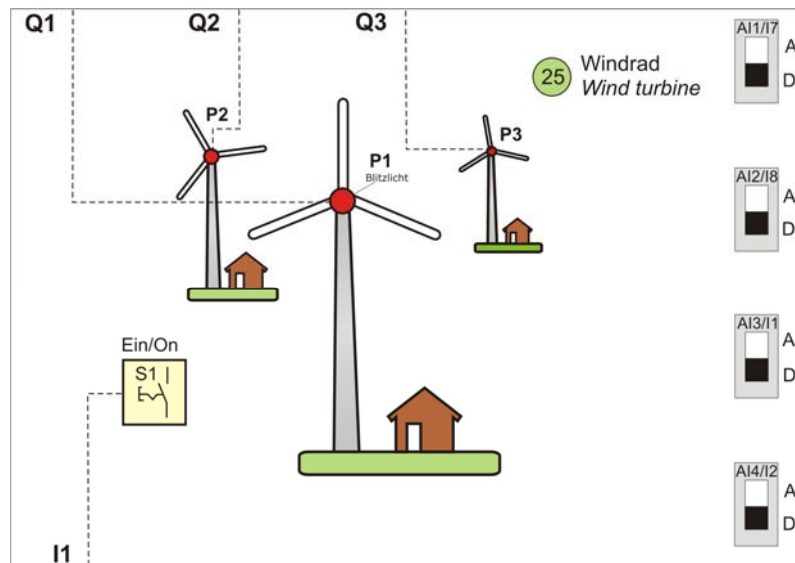


Wind turbine with LOGO!Learn

Learning card: Wind turbine



Operating description

Three wind turbines in a wind farm supply environmentally friendly power. In order to warn air traffic, a flashing light has to be installed at the top of the column of each wind turbine. Within a period of 5 sec 2 impulses in short succession should switch the lights P1, P2 and P3 on/off.

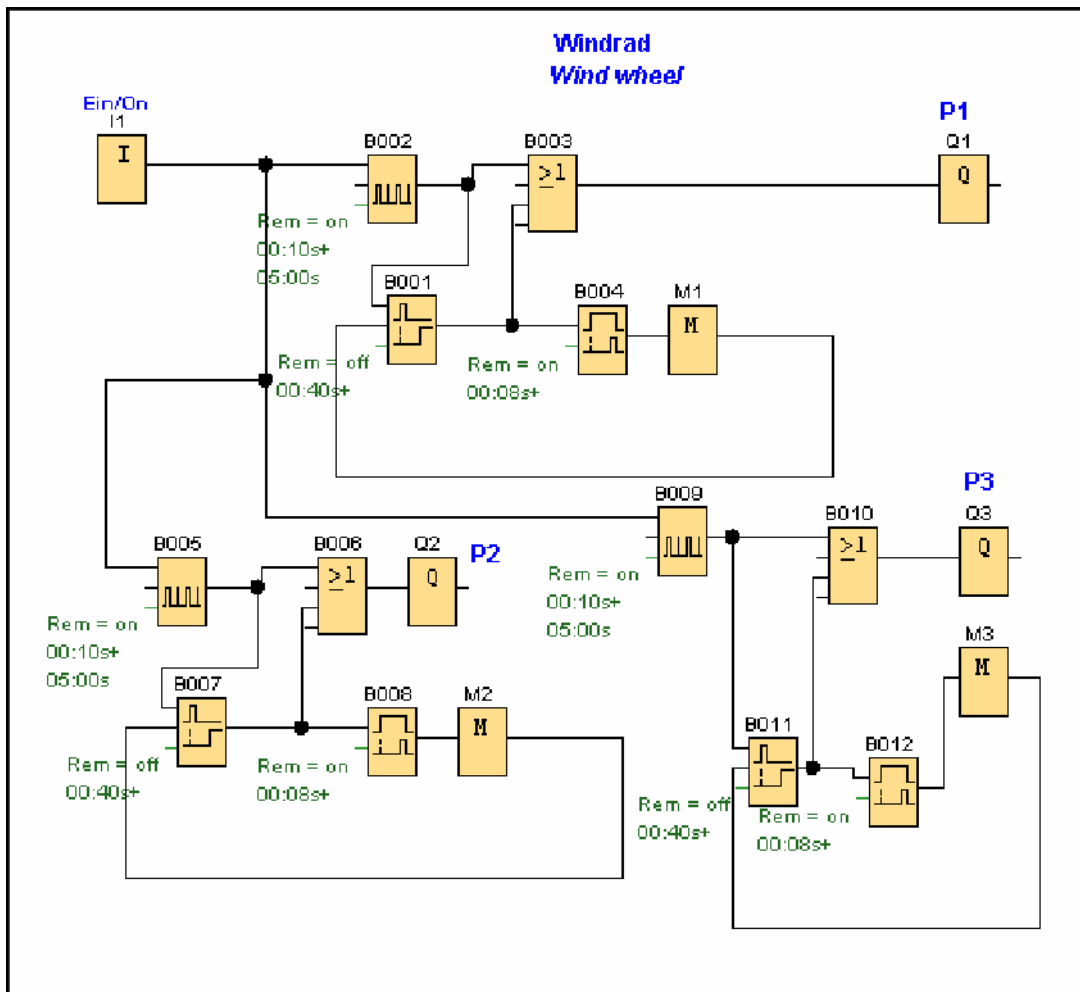
Correlation list		
Symbol	absolute	Comment
S1	I1	Switch
P1	Q1	Status LED (Pilot light)
P2	Q3	Status LED (Pilot light)
P3	Q3	Status LED (Pilot light)

Exercise

Solution field 1 shows a suggested solution.

- Enter program according to functionblock diagram (solution field 1) into the programming unit (i.e. PC or keyboard) and transfer into LOGO!
- Test program
- Transfer the solution „FBD“ as „LAD“ (ladder diagram) into solution field 2.
- Enter program according to LAD (solution field 2) into the programming unit (i.e. PC or keyboard) and transfer into LOGO!
- Test program

Solution field 1 (suggested solution)



Solution field 2 (ladder diagram)

