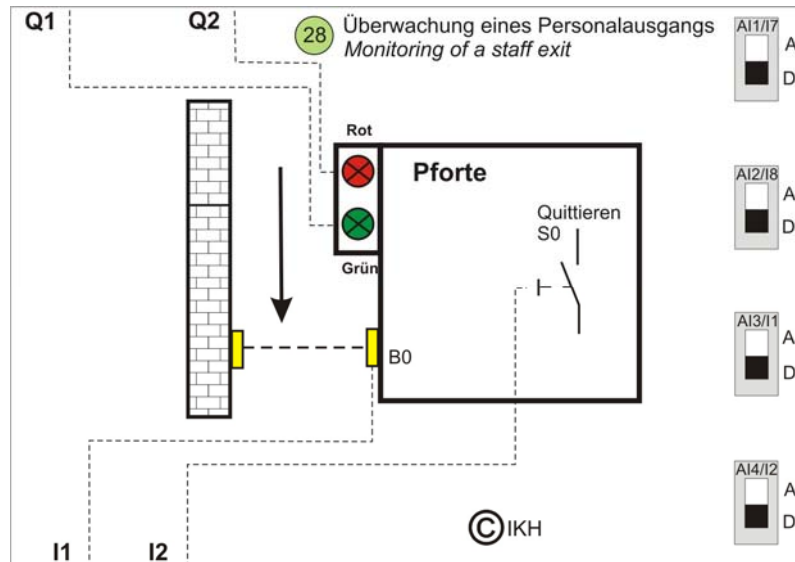


Monitoring of a staff exit with LOGO!Learn

Learning card: Monitoring of a staff exit



Operating description

The staff exit of a factory has to be monitored. Staff members walking through the light beam B0 are selected according to a random principle. The green pilot lamp P1 is on. When the pilot lamp P2 changes to red, that particular person has to stop and will be searched by the attendant. By activating the button „confirm“ the pilot lamp switches back from red to green and the staff exit is cleared again.

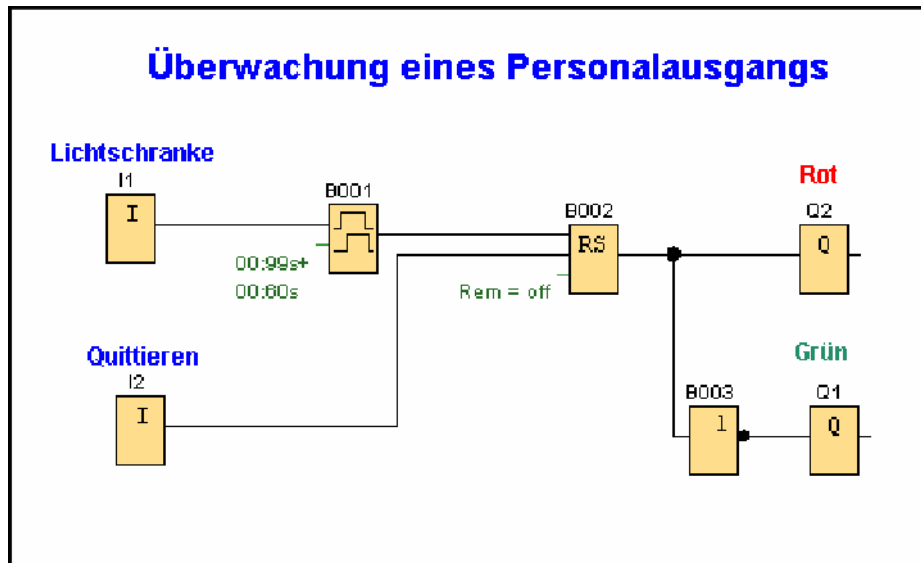
Correlation list		
Symbol	absolute	Comment
I1	B0	Light beam
I2	S0	Button „confirm“
Q1	P1	Pilot lamp Green
Q2	M	Pilot lamp Red

Exercise

Solution field 1 shows a suggested solution.

- Enter program according to function block diagram (solution field 1) into the programming unit (i.e. PC or keyboard) and transfer into LOGO!
- Test program
- Transfer the solution „FBD“ as „LAD“ (ladder diagram) into solution field 2.
- Enter program according to LAD (solution field 2) into the programming unit (i.e. PC or keyboard) and transfer into LOGO!

- Test program

Solution field 1 (suggested solution)**Solution field 2 (ladder diagram)**

