

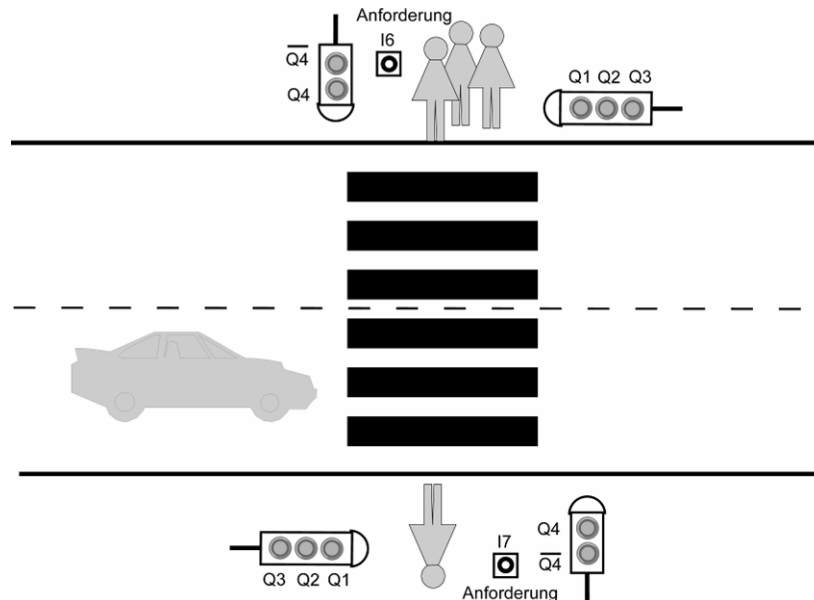
Traffic light system

Operating description

A traffic light system has to be controlled by a LOGO!

Technical drawing

Picture 328_1



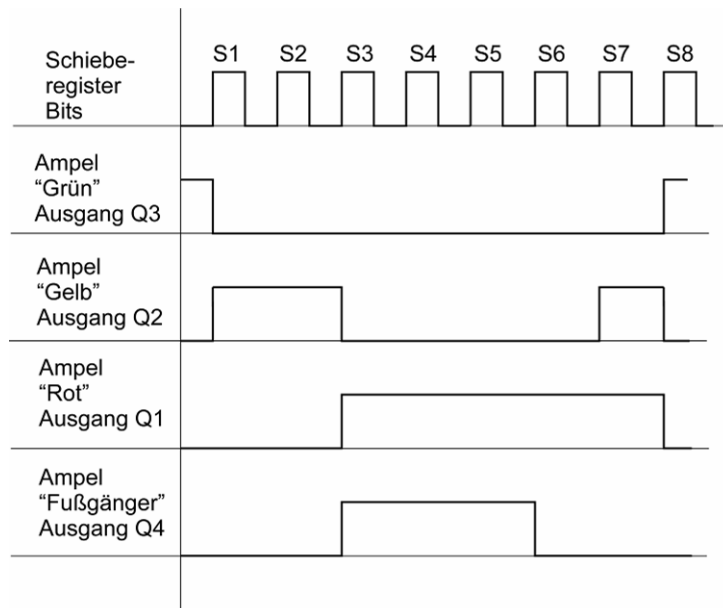
Operating description

When not in use, if the request for the pedestrian crossing is not activated, the road traffic light shows “green” and the pedestrian traffic light is “red”.

The two buttons „request“ (input I6 and I7) activate the request for the pedestrian crossing. An impulse regulates the shift register and the cycle is controlled via the evaluation of the shift register bits.

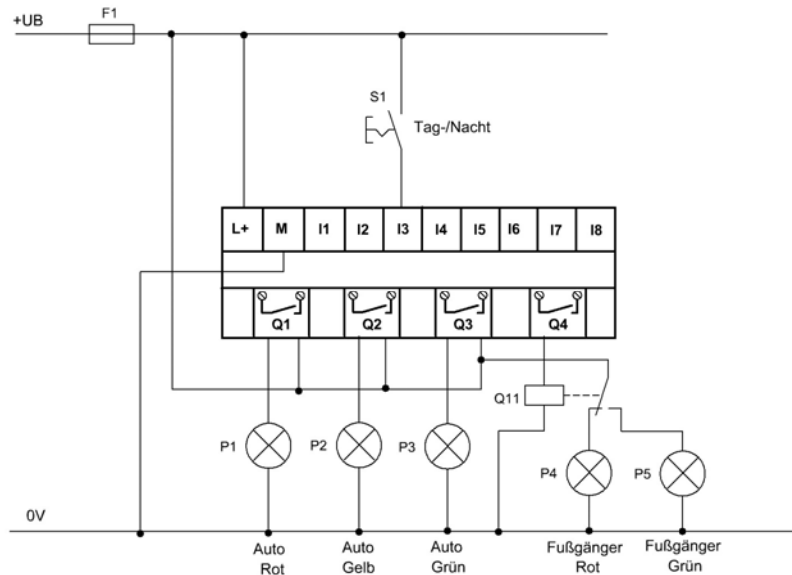
Picture 328_2

Diagram



At night the traffic light can be switched to a flashing „amber“ light. The pedestrian traffic light will be switched off (red-off). The road traffic light will be switched off (green-off) and the traffic light flashes amber. The night operation will only become effective, once the cycle for pedestrians is completed.

Connection to the LOGO!
Picture 328_3



Correlation list		
Symbol	Component	Comment
S1	I3	Switch „make“ Night operation
P1	Q1	Pilot light P1 (Auto Red)
P2	Q2	Pilot light P2 (Auto Amber)
P3	Q3	Pilot light P3 (Auto Green)
Q11	Q4	Pilot light P4+P5 (Pedestrian)

Exercise

- Develop program according to given operating description, enter with software LOGO! Comfort 6.0 into the PC and save under filename „Traffic light“.
- Test program with integrated simulator as FBD (function block diagram) and LAD (ladder diagram).
- Transfer program into LOGO!
- Test program

An example of the solution is available on the enclosed CD under the filename „Traffic light“.