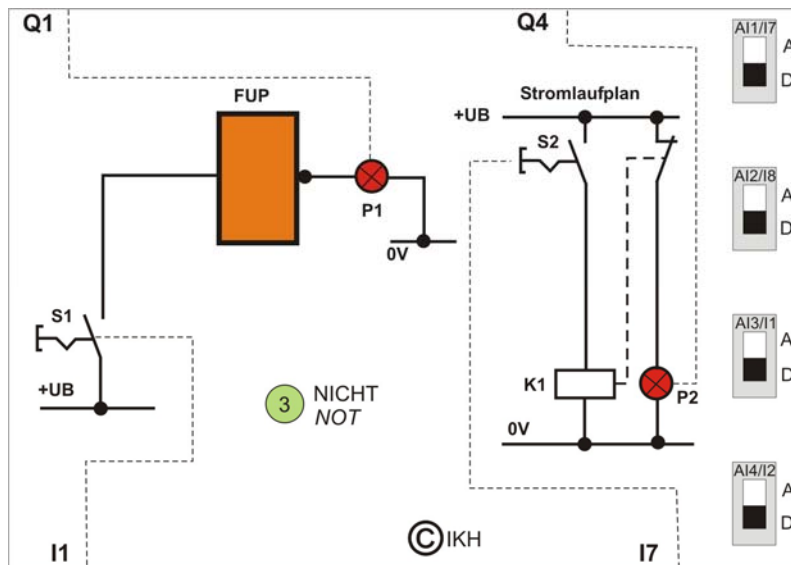


NOT - Function (Reverse step) with LOGO!Learn

Learning card: NOT-Function



The learning card shows the NOT- Function as a function block diagram (FBD) and as a circuit diagram.

Correlation list 1		
Symbol	absolute	Comment
S1	I1	Switch
P1	Q1	Status LED

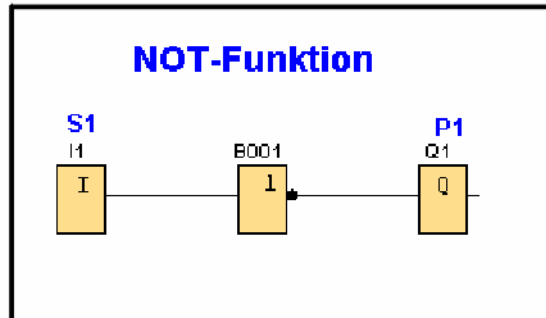
Correlation list 2		
Symbol	absolute	Comment
S2	I7	Switch
P2	Q4	Status LED

Exercise with Correlation list 1

- o Enter program according to function block diagram (FBD) into the programming unit (i.e. PC or keyboard) and transfer into LOGO!
- o Test circuit according to function table.
- o Read-off signal states at the Status-LED of the Exercise unit „LOGO!Learn“ and enter them into the right column of the function table.

I1	Q1
H	
L	

Solution field 1



Exercise with correlation list 2

- Enter program according to ladder diagram (LAD) into the programming unit (i.e, PC or keyboard) and transfer into LOGO!
- Test circuit according to function table.
- Read-off signal states at the Status-LED of the exercise unit „LOGO!Learn“ and enter them into the right column of the function table.

I7	Q4
H	
L	

Solution field 2

