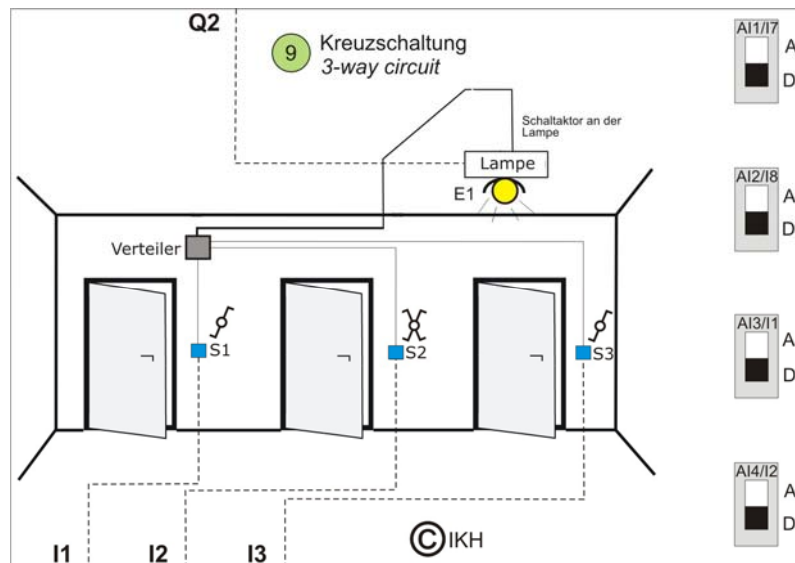


3-way circuit with LOGO!Learn

Learning card: 3-way circuit



A 3-way circuit is used to switch lamp E1 (Q2) on or off from three different locations with S1, S2 or S3.

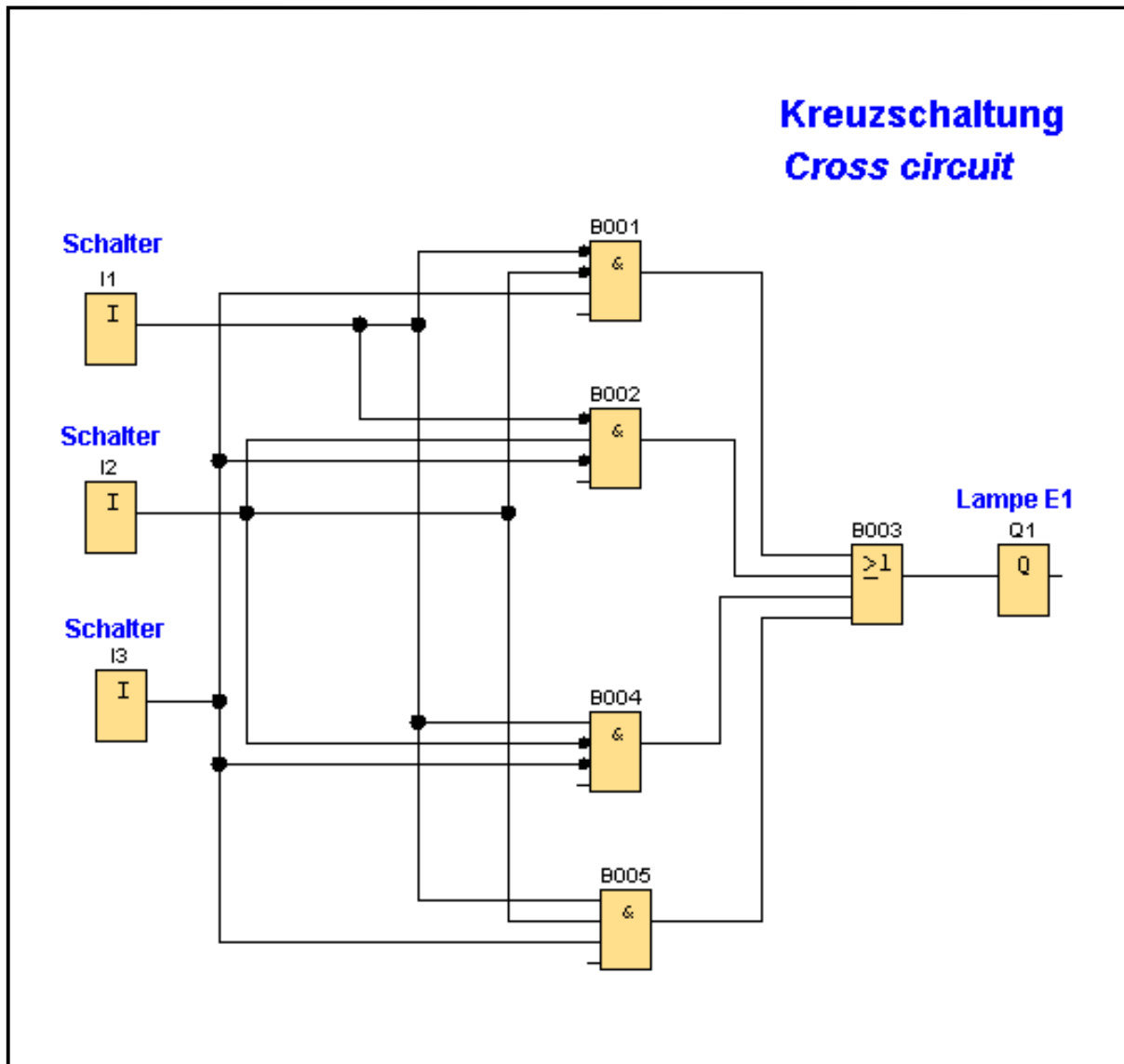
Correlation list		
Symbol	absolute	Comment
S1	I1	Switch
S2	I2	Switch
S3	I3	Switch
E1	Q1	Status LED (Pilot lamp)

Exercise

Solution diagram 1 shows a suggested solution.

- Enter program according to function block diagram (solution field 1) into the programming unit (i.e. PC or keyboard) and transfer into LOGO!
- Test program
- Enter the solution „FBD“ as „LAD“ (ladder diagram) into solution field 2.
- Enter program according to LAD (solution field 2) into the programming unit (i.e. PC or keyboard) and transfer into LOGO!
- Test program

Solutoin field 1 (suggested solution)



Solution field 2 (ladder diagram)

